

META MULTIPAL® S 2000

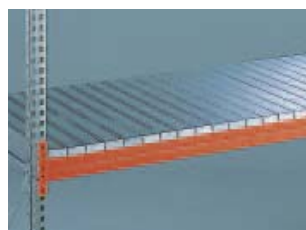
Bolted End Frame Pallet Rack system



- 1 Drum Holder
- 2 Stillage Supports
- 3 Cross Supports for decks
- 4 Mesh Back Safety Panel
- 5 Frame Protector – corner



Chipboard Decks



Steel Deck panels (not suitable for pallet storage)



Steel Mesh Deck panels

META MULTIPAL® S 2000

Size range

Standard End Frame heights: Galvanised

2.2 – 12.0 metres

Standard End Frame heights: Powder Coated

2.2 – 6.0 metres

Standard End Frame depths: Both finishes

800 mm

900 mm

1100 mm

Standard Beam lengths: Both finishes

1800 mm

2200 mm

2700 mm

3300 mm

3600 mm

Other sizes are available against special quotation.

META MULTIPAL® S 2000 is the ideal solution for the efficient storage of palletised goods. The up-to-date design features of the system meet all the modern requirements of storage and logistical material flows in the warehouse or distribution environment.

- Individual storage level load capacity up to 5.5 tonnes
- Bay load capacity up to 21.0 tonnes – with even higher capacities possible using the new 100/35 End Frames which can be 26.0 tonnes when quoted by us after application survey.
- Beams can be adjusted on a vertical pitch of 50 mm
- The basis for our load capacity calculations comply with the most recent standards for pallet racking.
- The load capacities of a level or a bay can vary depending upon several factors such as clear height to first level, overall height, spacing of second and subsequent levels and the choice of beam length and section. We can specify the exact capacities once we have the full specification of your storage need and will propose our solution based on those needs.

Layout information

Bay widths

Starter Bay

End Frame types 85/20 and 85/25

Clear entry (beam length) + 170 mm

End Frame types 100/25 and 100/30

Clear entry (beam length) + 200 mm

Add-on bay

End Frames types 85/20 and 85/25

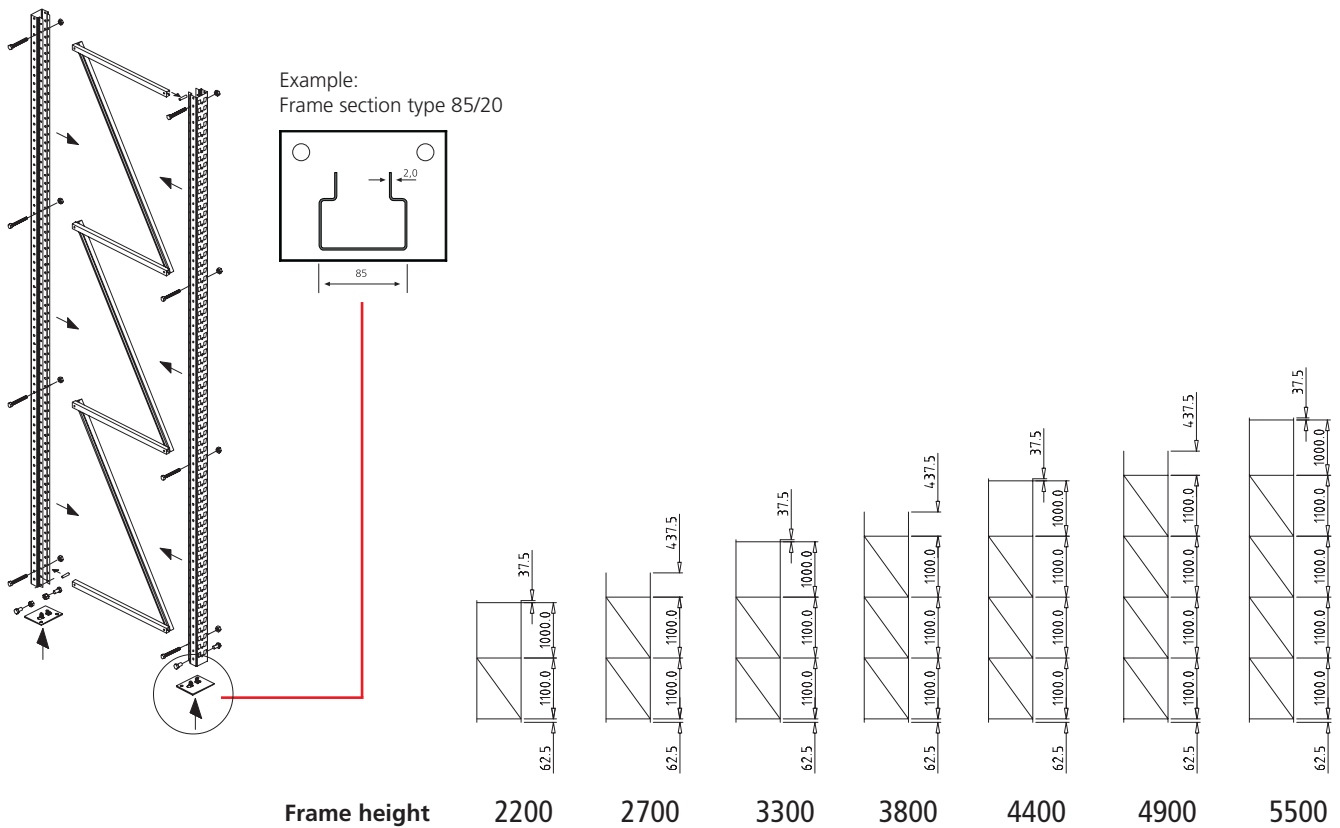
Clear entry (beam length) + 85 mm

End Frames types 100/25 and 100/30

Clear entry (beam length) + 100 mm

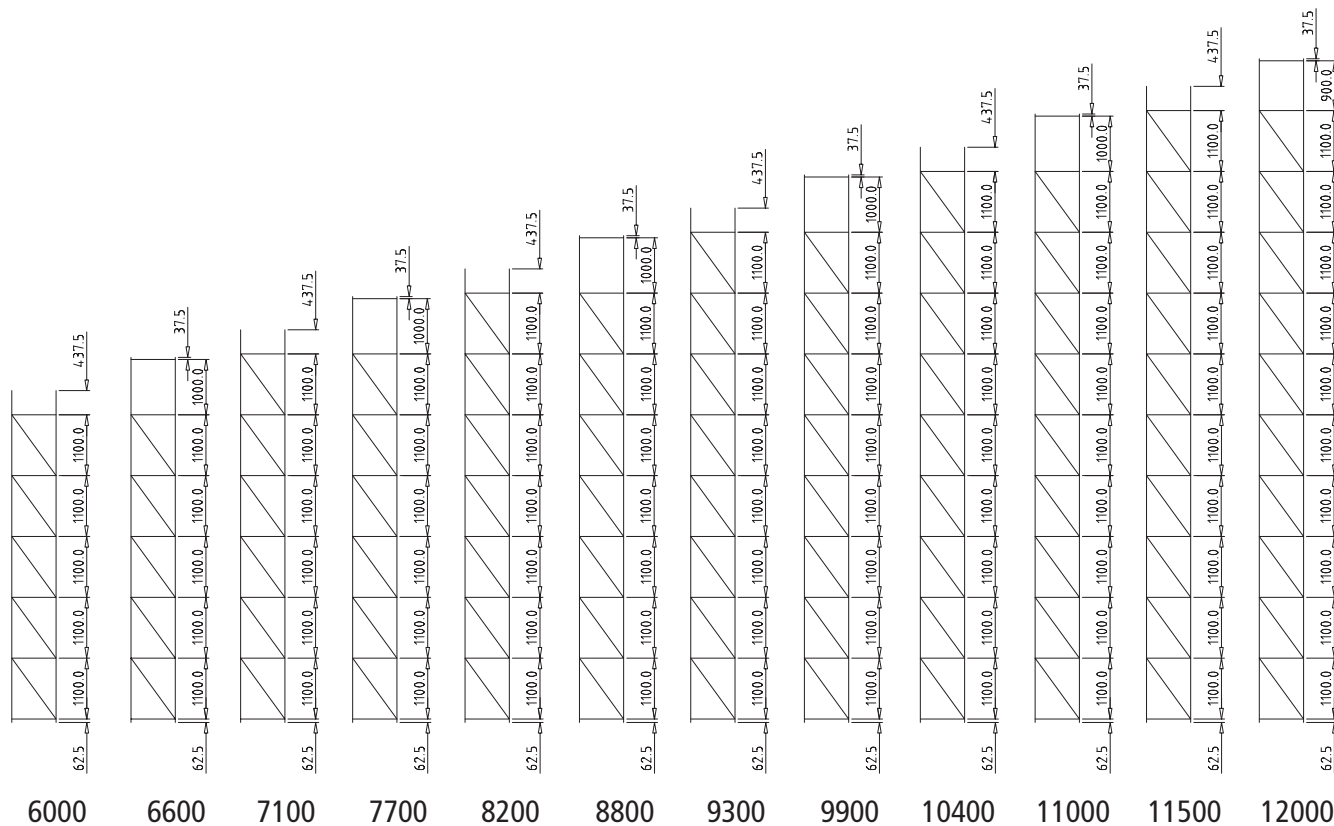
META MULTIPAL® S 2000

Frames



Frames – galvanised finish

Height Depth mm	Frame 85/20			Frame 85/25			Frame 100/25			Frame 100/30		
	800 Ref.	900 Ref.	1100 Ref.	800 Ref.	900 Ref.	1100 Ref.	800 Ref.	900 Ref.	1100 Ref.	800 Ref.	900 Ref.	1100 Ref.
2200	76032		76093	76042		76102	84423		84442	83623		83646
2700	76034		76095	76043		76103	84424		84443	83624		83647
3300	76036		76096	76044		76104	84425		84444	83625		83648
3800	76037		76097	76045		76105	84426		84445	83626		83649
4400	76038		76098	76046		76106	84427		84446	83627		83650
4900	76039		76099	76047		76107	84428		84447	83628		83651
5500	76040	part number on application	76100	76048		76108	84429		84448	83629		83652
6000	78928		78938	78965		78989	84430		84449	83630		83653
6600	78929	part number on application	78939	78966		78990	84431		84450	83631		83654
7100	78930		78940	78967		78991	84432		84451	83632		83655
7700	78931	part number on application	78941	78968		78992	84433		84452	83633		83656
8200	78932		78942	78969		78993	84434		84453	83634		83657
8800	173888	part number on application	173926	78970		78994	84435		84454	83635		83658
9300	173889		173927	78971		78995	84436		84455	83636		83659
9900	173890	part number on application	173928	78972		78996	84437		84456	83637		83660
10400	173891		173929	78973		78997	84438		84457	83638		83661
11000	173892	part number on application	173930	78974		78998	84439		84458	83639		83662
11500	173893		173931	78975		78999	84440		84459	83640		83663
12000	173894	part number on application	173932	78976		79000	84441		84460	83641		83664



Frames – Powder coated in RAL 5010 Enzian blue – bracing is galvanised.

Height Depth mm	Frame 85/20			Frame 85/25			Frame 100/25			Frame 100/30		
	800 Ref.	900 Ref.	1100 Ref.	800 Ref.	900 Ref.	1100 Ref.	800 Ref.	900 Ref.	1100 Ref.	800 Ref.	900 Ref.	1100 Ref.
2200	76118	part number on application	76210	76126	part number on application	76218	174678	part number on application	174716	174906	part number on application	174944
2700	76119		76211	76127		76219	174679		174717	174907		174945
3300	76120		76212	76128		76220	174680		174718	174908		174946
3800	76121		76213	76129		76222	174681		174719	174909		174947
4400	76122		76214	76130		76223	174682		174720	174910		174948
4900	76123		76215	76131		76225	174683		174721	174911		174949
5500	76124		76216	76132		76226	174684		174722	174912		174950
6000	174001		174039	174229		174267	174685		174723	174913		174951

Clear entry between beams mm	Frame upright section type			
	85/20 kg	85/25 kg	100/25 kg	100/30 kg
500	12690	15660	18080	21000
1000	12690	15660	18080	21000
1250	11960	14760	17070	19980
1500	11240	13870	16070	18960
1750	10480	12670	14850	17280
2000	9330	11480	13630	15600
2250	8380	10310	12420	13800
2500	7460	9150	11210	12000
2750	6690	8210	10200	11300
3000	5930	7270	9200	10600

Bay Loading capacities MULTIPAL S

The load capacities are based on racks with maximum height to the top beam of **8 m** – frames up to 12m are available on request.

The loadings quoted assume:

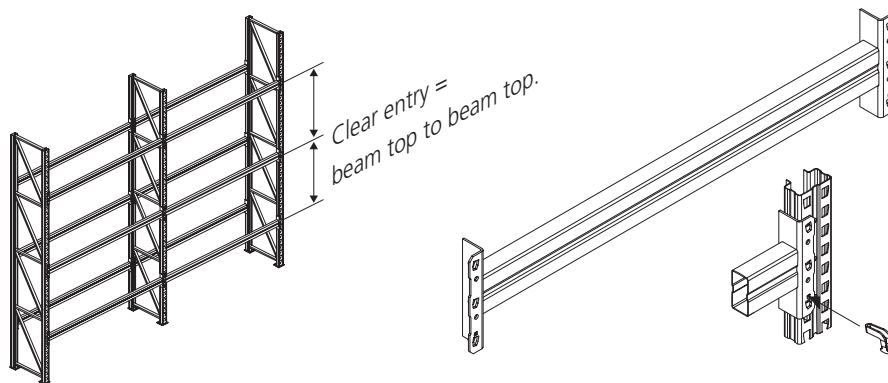
- Minimum of 5 bays
- Minimum of two beam levels per bay
- All loads are udl
- Bays with a width less than 2800 mm

For bays wider than 2800 mm the minimum beam section must be HN 120-20. If a smaller beam section is used then the bay loadings will be reduced. In this case please contact us.

Even higher bay loadings up to 26 tonnes can be achieved with the new special frame type 100/35 on request.

META MULTIPAL® S 2000

Beams



Beams, powder coated in RAL 2001 safety orange.

Beam Type	Beam length mm	Ref.	max. loading (kg) per pair of beams with clear entry not exceeding 1500 mm			
			85/20	85/25	100/25	100/30
 HN 85/20	1800	77487	2760	2860	2770	2810
	2200	77488	2320	2450	2330	2370
	2700	77489	1770	1940	1780	1820
	3300	—	1320	1420	1350	1400
	3600	—	1100	1160	1130	1190
 HN 100/20	1800	78861	3250	3480	3390	3460
	2200	—	2840	3060	2970	3050
	2700	78863	2330	2540	2450	2550
	3300	—	1730	1910	1870	1970
	3600	—	1430	1600	1580	1690
 HN 120/20	1800	—	4100	4290	4200	4240
	2200	77490	3610	3770	3690	3730
	2700	77491	3000	3130	3060	3090
	3300	—	2380	2530	2490	2560
	3600	—	2070	2240	2210	2300
 HN 120/25	1800	—	4760	5030	4980	5000
	2200	—	4180	4430	4360	4390
	2700	78865	3460	3680	3590	3630
	3300	—	2660	2910	2880	2970
	3600	—	2260	2530	2530	2650
 HN 120/30	1800	77492	4990	5500	5500	5500
	2200	—	4450	4920	4870	4900
	2700	77494	3760	4190	4090	4160
	3300	77495	2880	3210	3220	3340
	3600	77496	2450	2730	2790	2930
 HN 150/32	1800	—	5500	5500	5500	5500
	2200	—	5230	5500	5500	5500
	2700	82883	4900	5500	5500	5500
	3300	82884	3990	4450	4850	4940
	3600	82885	3540	3930	4520	4660

* Including two security pins

META MULTIPAL® S 2000

Accessories



The storage system

1 Pallet support bars

Frame depth mm	Load capacity kg/pair	Finish RAL 2001 Ref.
800	1100	77791
900		
1100	1100	77792

2 Channel support bars – finished in RAL 2001 designed for use with Euro pallets and stillages

Frame depth mm	Ref.
800	88326
900	On application
1100	88338

3 Spacers – galvanised finish

For use with back to back racks with a minimum distance between pallets of 100 mm

Spacing mm	Ref.
100	78124
200	78125

4 Levelling plates – galvanised finish

Material thickness mm	Ref.
1	84105
2	84104

5 Steel panel decks 100 kg loading per panel udl. **Caution**, make sure overall capacity of the beam used is not exceeded.

D x W x H mm	Load capacity kg	Galvanised finish Ref.
800 x 100 x 25	100	69884
900 x 100 x 25		On application
1100 x 100 x 25	100	69885

6 Corner upright protectors incl. floor bolts Protects uprights from fork lift damage.

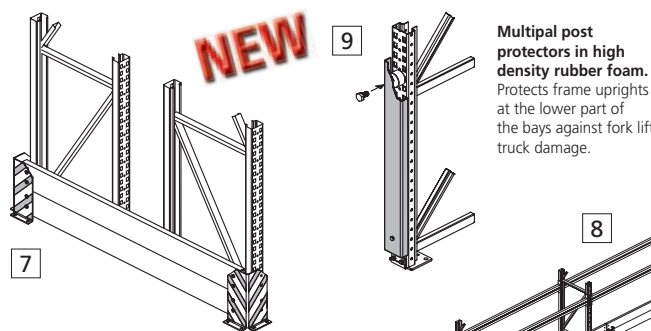
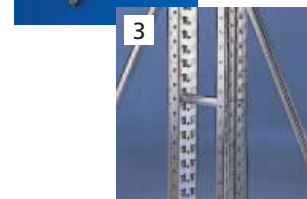
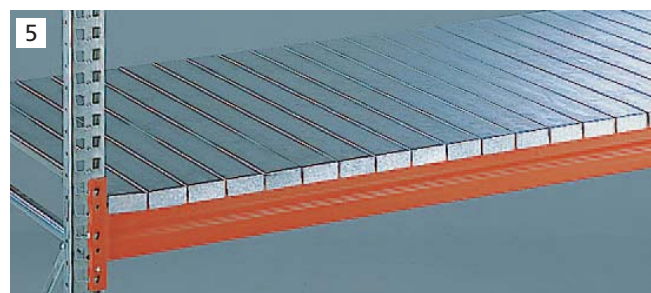
Height mm	Safety colour	Ref.
400	black/yellow	51059

7 Safety Barriers for Rack ends use with Upright protectors. Painted finish.

Safety barrier for frame depth	Ref.
800 mm single	170830
900 mm single	170831
1100 mm single	170832
800 mm double (200 mm spacer)	170833
900 mm double (200 mm spacer)	
1100 mm double (200 mm spacer)	

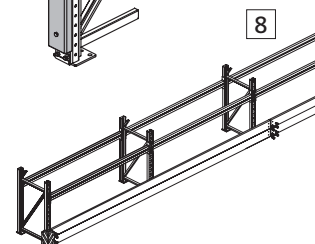
9 Post protector – finish RAL 5010 Height 1000

Description	Width mm	Ref.
Post protector with rubber foam buffer	85	171981
	100	172898



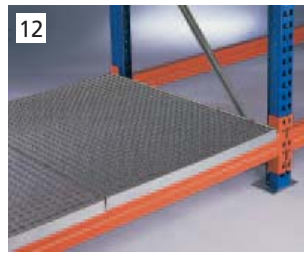
Multipal post protectors in high density rubber foam. Protects frame uprights at the lower part of the bays against fork lift truck damage.

8 Safety barriers for rack lengths. Painted finish. Details on application.



META MULTIPAL® S 2000

Accessories



10 Recessed support bars – for 19 mm chipboard

Bay depth mm	Recessed mm	Painted RAL 2001 Ref.
800	19	81081
900		on application
1100	19	81083

11 Chipboard decks including recessed support bars 19 mm thick

Bay depth 800 mm	Length mm	Load capacity udl kg	Ref.
Chipboard decks	1800	390	77716
	2200	270	77717
including recessed support bars	2700	445	77718
	3300	315	77719
	3600	780	77720

Bay depth 900 mm – full range on application

Bay depth 1100 mm

Chipboard decks	1800	540	77721
	2200	375	77722
including recessed support bars	2700	610	77723
	3300	425	77724
	3600	1080	77725

Load capacity is increased by 250 kg for each additional support bar added.

Caution: Care should be taken not use decks which exceed in their load carrying capacities the loading capability of the beam section chosen from the range on page 84.

12 Mesh deck panels

Mesh pattern is 30 x 30 mm

Bay Depth mm	Bay length mm	Load capacity udl kg	Galvanised finish Ref.
800	1800	4100	77691
	2200	4500	77692
	2700	4500	77693
	3300	4500	77694
	3600	4500	77695
900	full range on application		
	1800	2730	77696
	2200	3340	77697
1100	2700	4100	77698
	3300	4500	77699
	3600	4500	77700
	Mesh fixing clips		80993

10 Recessed support bars – for 38 mm chipboard

Bay depth mm	Recessed mm	Painted RAL 2001 Ref.
800	38	80662
900		on application
1100	38	80663

11 Chipboard decks including recessed support bars 38 mm thick

Bay depth 800 mm	Length mm	Load capacity udl kg	Ref.
Chipboard decks	1800	1220	80652
	2200	1020	80653
including recessed support bars	2700	1710	80654
	3300	1410	80655
	3600	2440	80656

Bay depth 900 mm – full range on application

Bay depth 1100 mm

Chipboard decks	1800	1680	80657
	2200	1400	80658
including recessed support bars	2700	2360	80659
	3300	2020	80660
	3600	3360	80661

Load capacity is increased by 600 kg for each additional support bar added.

13 MULTIPAL QR – Mesh bay backs. Painted RAL 5010 finish. Complete with 4 clips, spacers and fastenings.

Type	Length mm	Ref.
500 mm height	1800	on application
with a pallet overhang of	2200	on application
	2700	on application
	3300	on application
50 mm height	3600	on application
1100 mm height	1800	on application
with a pallet overhang of	2200	on application
	2700	on application
	3300	on application
50 mm height	3600	on application

Note: Pallet overhang in the following dimensions 25, 100, 125, 150 and 175 mm on request.



14 Z-brackets

Galvanised finish, designed to hold chipboard decks of 30mm and 38mm thicknesses.

Model	Galvanised finish Ref.
M 50	71239

14 Chipboard decks complete with Z-brackets

For 30 mm thick chipboard

Bay depth mm	Bay length mm	Load capacity udl kg	Ref.
	1800	957	77770
	2200	1170	77771
800	2700	1436	77772
	3300	1755	77773
	3600	1915	77774
900	full range on application		
	1800	426	77775
	2200	520	77776
1100	2700	639	77777
	3300	780	77778
	3600	851	77779

14 Chipboard decks complete with Z-brackets

For 38 mm thick chipboard

Bay depth mm	Bay length mm	Load capacity udl kg	Ref.
	1800	1406	77780
	2200	1718	77781
800	2700	2109	77782
	3300	2577	77783
	3600	2811	77784
900	full range on application		
	1800	706	77785
	2200	863	77786
1100	2700	1059	77787
	3300	1295	77788
	3600	1413	77789



15 Push-through back stop

for 50 mm pallet overhang and frame 85 mm

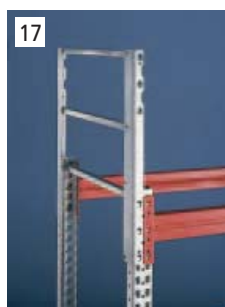
Type	Length mm	Galvanised finish Ref.
For	1800	89934
50 mm	2200	89935
pallet	2700	89936
overhang	3300	89937
	3600	89938

16 Push-through back stop

for 100 mm pallet overhang and frame 85 mm

Type	Length mm	Galvanised finish Ref.
For	1800	89939
100 mm	2200	89940
pallet	2700	89941
overhang	3300	89942
	3600	89943

For frame 100 mm on application



17 End frame safety extension.

500 mm high

Bay depth mm	Galvanised finish Ref.
800	78107
900	on application
1100	78108

META MULTIPAL® S HEAVY DUTY WIDESPAN RACKING

Standard bays



- **Construction:**
Frames are knock down
- **Finish**
Frames: galvanised
Beams: painted in safety orange RAL 2001
- **Bay loading:**
Normal maximum of 9500 kg¹⁾ but higher capacities on request
- **Load per level:**
up to 2700 kg¹⁾
see range of loads in the table below.

¹⁾ All loadings are udl.

Not suitable for use with pallets



Standard bays

Rack height mm	Rack length x depth mm	No. of levels pcs	Load capacity per level kg	Starter bay Ref.	Add-on bay Ref.
2200	1800 x 800	3	1800	77521	77539
2200	1800 x 1100	3	1800	77524	77542
2200	2200 x 800	3	2200	77527	77545
2200	2200 x 1100	3	2200	77530	77548
2200	2700 x 800	3	2700	77533	77551
2200	2700 x 1100	3	2700	77536	77554
2700	1800 x 800	4	1800	77522	77540
2700	1800 x 1100	4	1800	77525	77543
2700	2200 x 800	4	2200	77528	77546
2700	2200 x 1100	4	2200	77531	77549
2700	2700 x 800	4	2700	77534	77552
2700	2700 x 1100	4	2700	77537	77555
3300	1800 x 800	5	1800	77523	77541
3300	1800 x 1100	5	1800	77526	77544
3300	2200 x 800	5	2200	77529	77547
3300	2200 x 1100	5	2200	77532	77550
3300	2700 x 800	5	2700	77535	77553
3300	2700 x 1100	5	2700	77538	77556

Extra levels – with steel panels

Consist of: Steel panels, pair of beams with safety pin.

Length x depth mm	Level pc	Ref.
1800 x 800	1	77557
1800 x 1100	1	77558
2200 x 800	1	77559
2200 x 1100	1	77560
2700 x 800	1	77561
2700 x 1100	1	77562

META MULTIPAL® S 2000

Standard racks and bays



The storage system



The compact but effective Multipal® S type bays are the ideal solution for the storage of palletised or loose items. The range of beam lengths and strengths mean that the system is highly versatile and adjustable to meet changing needs.

- Beam levels adjustable at 50 mm vertical centres
- Frames finished in RAL 5010 Enzian blue
- Beams powder coated RAL 2001 safety orange
- Frames are knocked-down for transportation
- All fastenings supplied
- Starter bays with 2 frames and add-on bays with one frame
- For individual pallet loads up to 1325 kg



Showing an alternative application with steel panel decks for non palletised items.

Application example

Heavy duty META MULTIPAL® rack for heavy tooling.

MULTIPAL® S 2000 Complete run of two bays with 2700 mm beams.

Rack height	Rack length x depth	Pallet places provided incl floor storage	Storage levels	Load capacity per level	Bay load	Frame finish RAL 5010 Beam finish RAL 2001	Ref.
mm	mm	no.	no.	kg	kg		
3300	5655 x 1100	18	2	2250	8260		79657

If you would like a standard rack unit in either 800 or 900 mm depths please contact our office for a quotation

MULTIPAL® S 2000 Standard bays for Euro pallets

Rack height	Rack length x depth	Pallet places provided incl floor storage	Storage levels	Load capacity per level	Bay load	Frame finish RAL 5010 Beam finish RAL 2001		
						Starter bay	Add-on bay	
mm	mm	no.	no.	kg	kg	Ref.	Ref.	
3300	1800 x 1100	6	2	2650	8260	77501	77502	
3300	2700 x 1100	9	2	2250	8260	77507	77508	
4400	1800 x 1100	8	3	2650	8260	77503	77504	
4400	2700 x 1100	12	3	2250	8260	77509	77510	

META Cable Reel Racks

Standard units and accessories



- The META – Cable Reel rack system enables the efficient storage, handling and visible control of all types of cable supplied from the reel.
- The bolted framed system allows racks adapted to meet varying requirements.
- Racks can be adjusted and supplemented with extra components in a modular way to meet changing needs.
- All accessories are easy to install into the racks.
- Frame heights 2200 – 5500 mm
- Frame depths 1100 mm
- Bay location widths 900, 1100 and 1300 mm
- End Frames with powder coated uprights in RAL 5010 Enzian blue
- Diagonal and horizontal cross bracing galvanised
- Beams are powder coated RAL 2001 safety orange

Each standard unit consists of:
 Starter bay 2 End frames
 Add-on bay 1 End frame.

Delivered knocked down for on-site assembly.



Starter bay

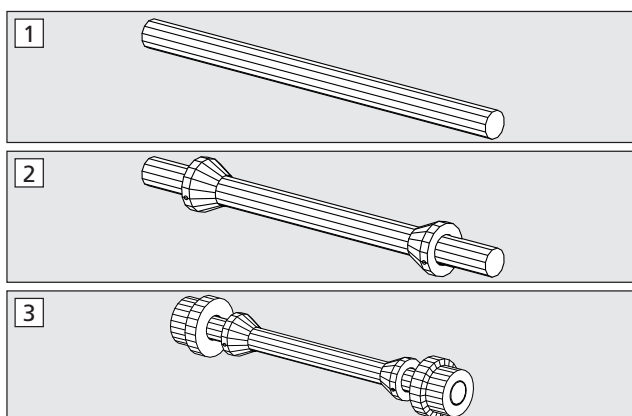


Add-on bay

- All the components such as beams, cable reel holders, feet and ground fixings are included but please note that the cable reel bars must be ordered separately to match your types and sizes of reels to be stored.

■ **Cable Reel racks** including the cable reel holders Type 1 but excluding the cable reel bars.

Frame height mm	Location width mm	Bay load kg	Frame depth mm	Cable Reel Holders per bay	Starter Bay Ref.	Add-on Bay Ref.
2200	900	6400	1100	2	81032	81033
2200	1100	6400	1100	2	81034	81035
2200	1300	6400	1100	2	81036	81037
2700	900	4000	1100	2	81038	81039
2700	1100	4000	1100	2	81040	81041
2700	1300	4000	1100	2	81042	81043
3300	900	3500	1100	2	81044	81045
3300	1100	3500	1100	2	81046	81047
3300	1300	3500	1100	2	81048	81049
3800	900	3000	1100	2	81050	81051
3800	1100	3000	1100	2	81052	81053
3800	1300	3000	1100	2	81054	81055
4400	900	5600	1100	4	81056	81057
4400	1100	5600	1100	4	81058	81059
4400	1300	5600	1100	4	81060	81061
5500	900	3600	1100	4	81062	81063
5500	1100	3600	1100	4	81064	81065
5500	1300	3600	1100	4	81066	81067



1 Cable Reel bars – without centralising flanges

Location width mm	Bar diameter 42 mm Ref.	Bar diameter 60 mm Ref.
900	80710	80713
1100	80711	80714
1300	80712	80716

2 Cable Reel bars – with centralising flanges

Location width mm	Bar diameter 42 mm Ref.	Bar diameter 60 mm Ref.
900	80740	80743
1100	80741	80744
1300	80742	80745

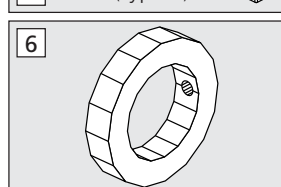
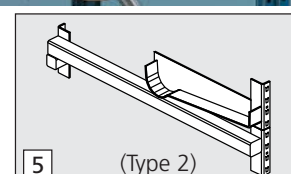
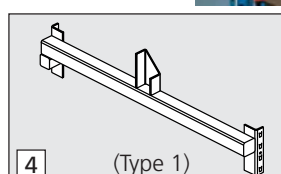
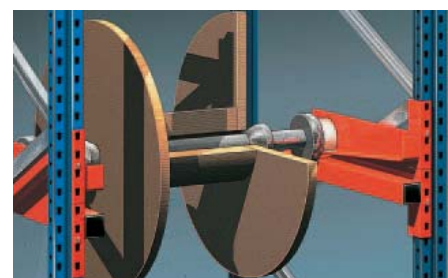
3 Cable Reel bars – with centralising flanges and plastic roller bearings *

Location width mm	Bar diameter 42 mm Ref.	Bar diameter 60 mm Ref.
900	80746	80750
1100	80748	80751
1300	80749	80752

* note that these can only be used with Cable Reel Holders Type 2

Information on commonly available Reel cores.

Location width mm	Cable Reel Bar diameter mm	Reel usable cable D.I.N. size mm	Outer diameter of reel mm	Central Hole mm	Reel width mm	Reel weight kg	Reel weight holding capacity kg
900	42	N 5	470	56	470	8	100
900	42	N 6	630	56	470	18	100
900	42	N 7	710	80	520	25	250
900	42	N 8	800	80	520	31	400
1100	42	N 7	710	80	520	25	250
1100	42	N 8	800	80	520	31	400
1100	60	N 9	900	80	690	47	750
1100	60	N 10	1000	80	710	71	900
1300	60	N 9	900	80	690	47	750
1300	60	N 10	1000	80	710	71	900
1300	60	N 11	1250	80	890	140	1300



4 + 5 Cable Reel Holders – Pair (left and right)
Length 1100 mm Load capacity 1300 kg per pair.

Type 1 Ref.: 80786

Type 2 Ref.: 80793

6 Securing Ring
Secures the Cable Reel bars

Reel Central Hole mm	Ref.
60	48802
42	49032

7 Upright Protector – Includes the floor fixings to prevent damage by mechanical handling aids.

Safety colour	Height mm	Ref.
black/yellow stripes	400	51059

META A-Frame Cable Reel Racks

Standard units and accessories



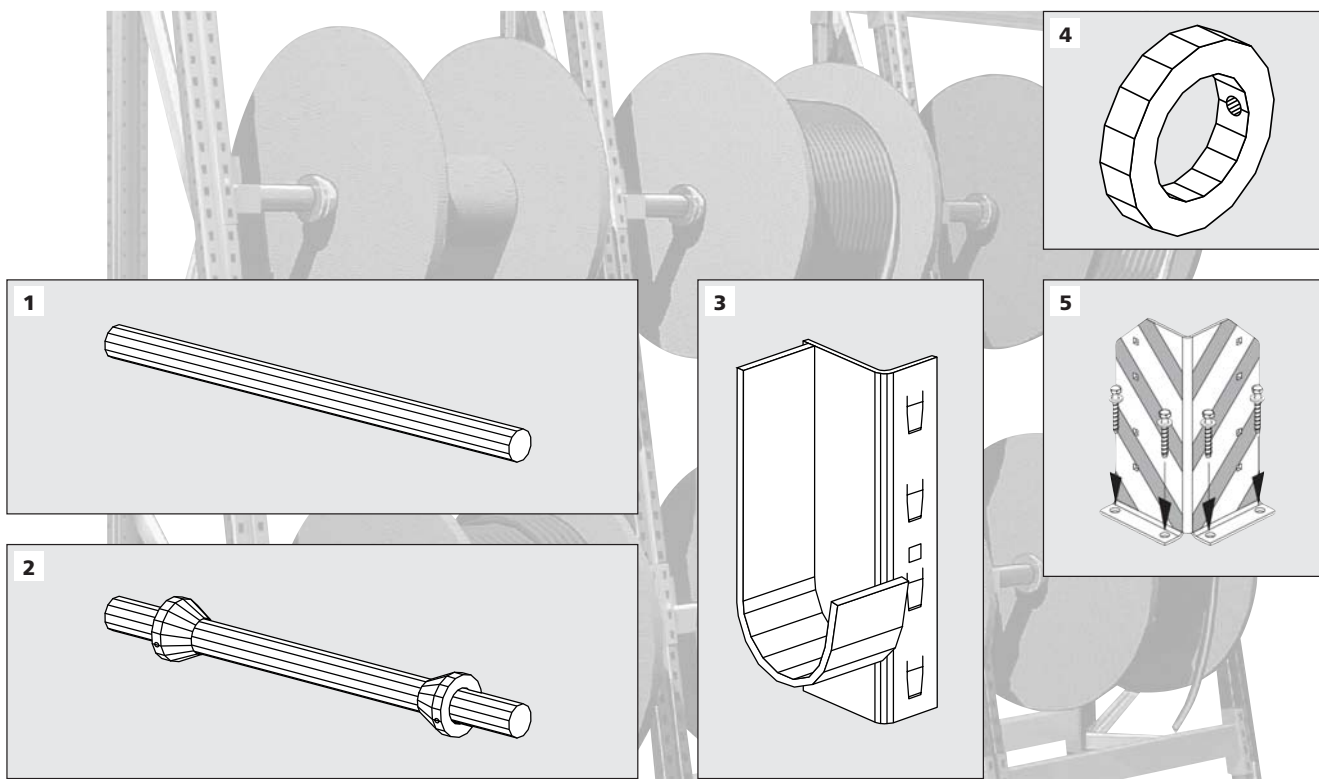
- META A-Frame Cable Reel Racks are particularly suited to the storage and display of cabling and tubing in a Trade Wholesale environment but can also be used in a workshop effectively.
- The META – Cable Reel rack system enables the efficient storage, handling and visible control of all types of cable supplied from the reel.
- The bolted framed system allows racks adapted to meet varying requirements.
- Racks can be adjusted and supplemented with extra components in a modular way to meet changing needs.
- All accessories are easy to install into the racks.

- All the components such as beams, cable reel holders, feet and ground fixings are included but please note that the cable reel bars must be ordered separately to match your types and sizes of reels to be stored.
- The standard units consist of:
 - Starter bay 2 A-Frames
 - Add-on bay 1 A-Frame
- The racks are delivered knocked-down for on-site assembly.
- A-Frame heights 3300 – 4900 mm
- A-Frame base depths 900 – 1100 mm
- Location width from 900 – 1.300 mm
- Uprights powder coated in RAL 5010 Enzian blue
- Cross bracing galvanised
- Beams powder coated in safety orange RAL 2001



A-Frame Cable Reel Racks including the cable reel holders Type 3 but excluding the cable reel bars see facing page.

Frame height mm	Location width mm	Bay load kg	Frame depth mm	Cable Reel Holders per bay	Starter Bay Ref.	Add-on Bay Ref.
3300	900	1500	900	2	81186	81189
3300	1100	1500	900	2	81187	81190
3300	1300	1500	900	2	81188	81191
4400	900	2250	1100	3	81192	81195
4400	1100	2250	1100	3	81193	81196
4400	1300	2250	1100	3	81194	81197
4900	900	3000	1100	4	81202	81205
4900	1100	3000	1100	4	81203	81206
4900	1300	3000	1100	4	81204	81207



1 Cable Reel bars – without centralising flanges

Location width mm	Bar diameter 42 mm Ref.	Bar diameter 60 mm Ref.
900	80710	80713
1100	80711	80714
1300	80712	80716

2 Cable Reel bars – with centralising flanges

Location width mm	Bar diameter 42 mm Ref.	Bar diameter 60 mm Ref.
900	80740	80743
1100	80741	80744
1300	80742	80745

3 Cable Reel Holders Pair (left and right)
Load carrying capacity 750 kg per pair

Type 3	Ref.: 81199
--------	-------------

4 Securing Ring
Secures the Cable Reel bars

Reel Central Hole mm	Ref.
60	48802
42	49032

5 Upright Protector – Includes the floor fixings to prevent damage by mechanical handling aids.

Safety colour	Height mm	Ref.
black/yellow stripes	400	51059

Information on commonly available Reel cores.

Location width mm	Cable Reel Bar diameter mm	Reel usable cable D.I.N. size mm	Outer diameter of reel mm	Central Hole mm	Reel width mm	Reel weight kg	Reel weight holding capacity kg
900	42	N 5	470	56	470	8	100
900	42	N 6	630	56	470	18	100
900	42	N 7	710	80	520	25	250
900	42	N 8	800	80	520	31	400
1100	42	N 7	710	80	520	25	250
1100	42	N 8	800	80	520	31	400
1100	60	N 9	900	80	690	47	750
1300	60	N 9	900	80	690	47	750

META MINI-RACK® A-Frame Racks - Lightweight

Standard units



A single sided run of one starter and one add-on bay



A double sided starter bay

- The META MINI-RACK® A-Frame racks are ideal for the storage and retail display of light goods stored vertically such as lengths of wood, plastic pipe and sheet materials such as chipboard.
- Frame height up to 3000 mm
- Frame depth 500 mm single sided 800 mm double sided
- Beam length 1400 mm
- Separation spigots 400 mm long
- Uprights angled at 6° - maximum load leaned against the upright 50 kg
- Finish – Frame powder coated RAL 7035 light grey
- Cross and horizontal bracing galvanised
- Spigots – galvanised
- Note the spigots are not included in the standard units and should be ordered separately.
- Heavier duty versions can be produced using Multipal S components on request.

A-Frame Racks

Rack height mm	Rack width x depth mm	Single sided Starter bay Ref.	Single sided Add-on bay Ref.	Rack width x depth mm	Double sided Starter bay Ref.	Double sided Add-on bay Ref.
2200	1400 x 500	76673	76674	1400 x 800	76686	76687
2500	1400 x 500	76675	76676	1400 x 800	76688	76689
3000	1400 x 500	76677	76678	1400 x 800	76690	76691

Spigots

Length mm	Ref.
400	74090